

MDM25

Hand-Held Hygrometer



The MDM25 is a portable, battery-operated hand-held hygrometer, and is available with a number of different probe configurations. It displays relative humidity, temperature and one calculated value, making this hygrometer suitable for a wide range of applications. The user can choose to display either °C or °F.

Highlights

- Displays %RH and temperature, plus dew point, absolute humidity and wet bulb temperature
- Simple to operate
- Long term stability: $\pm 1\%$ RH over 12 months

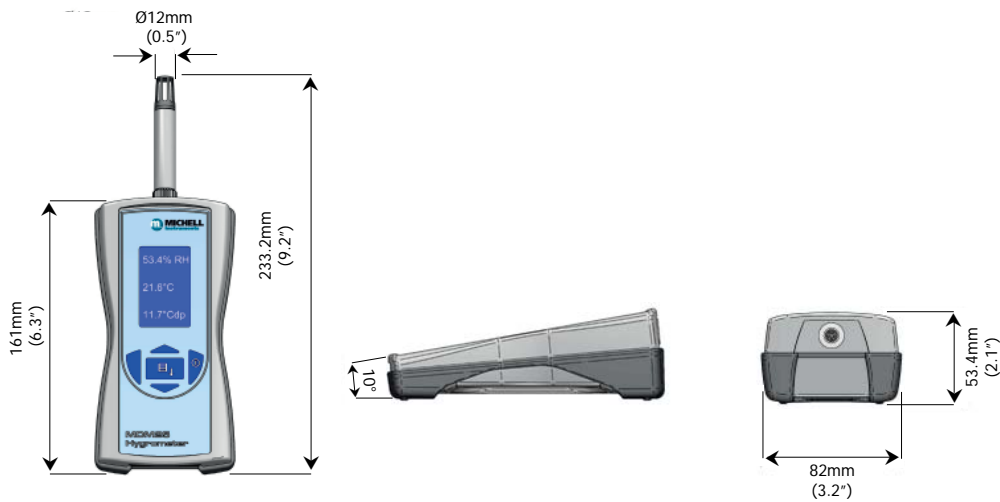
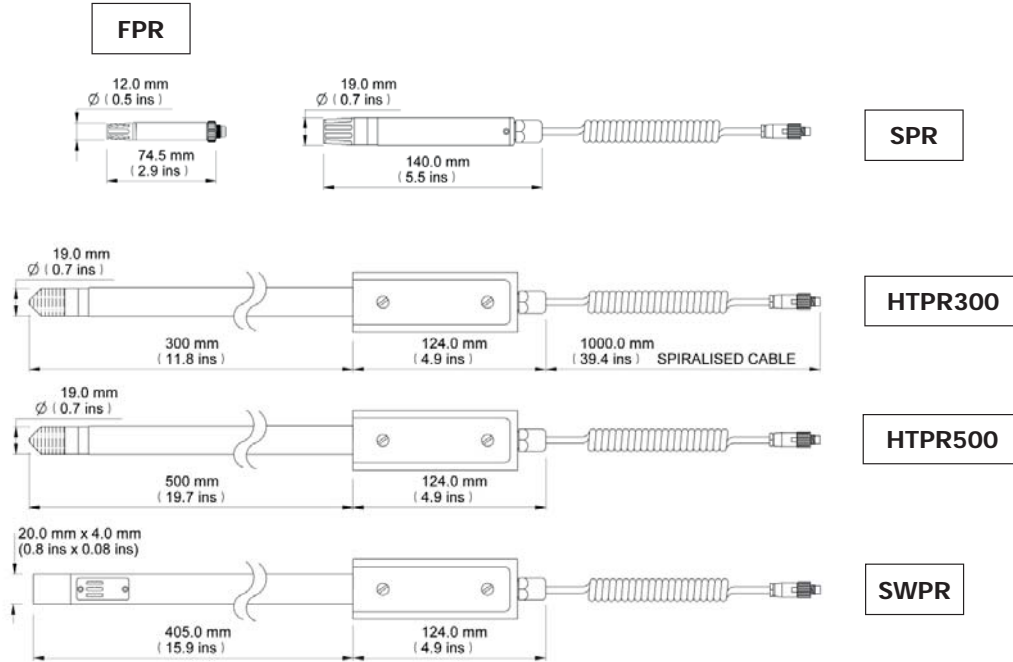
Technical Specifications: Hand-Held Hygrometer

Performance	
Measurement units	%RH, °C/°F Ta, °C/°F Td, g/m ³ , °C/°F Tw
Mechanical Specifications	
Ingress protection	IP54 (hygrometer only)
Hygrometer housing material	Molded polymer housing ABS and rubber surround
Weight	300g (10.58oz)
Display resolution	Graphic LCD 128 x 64 pixels
Electrical Specifications	
Supply voltage	4.5 V (3 x AA batteries — providing approximately 70 hours of operation)
Electrical connections	M9 5-way triad connector

Probes

Performance		
Measurement range (RH)	0–100% RH	
Accuracy @ 25°C (77°F) temperature	< $\pm 0.2^\circ\text{C}$ ($\pm 0.36^\circ\text{F}$)	
Stability — RH sensor	$\pm 1\%$ RH/year	
Response time — RH sensor	<10 sec typical (for 90% of the step change)	
Measurement & operating range (T)		
Fixed and standard probe	-20 to +80°C (-4 to +176°F)	
Sword probe	-20 to +100°C (-4 to +212°F)	
Remote probe	-20 to +150°C (-4 to +302°F)	
Accuracy @ 25°C (77°F)		
Humidity — Fixed probe	$\pm 2\%$ RH (10–90% RH)	
— Remote probe	$\pm 2\%$ RH (5–95% RH)	
Mechanical Specifications		
Weight:		
Fixed probe	FPR	30g (1.06 oz)
Standard probe	SPR	90g (3.17 oz)
Sword probe	SWPR	500g (1.1 lb)
Round 300mm probe	HTPR300	380g (13.4 oz)
Round 500mm probe	HTPR500	620g (1.37 lb)

Dimensions



Michell Instruments, Inc 319 Newburyport Turnpike, Suite 207, Rowley, MA 01969

Tel: 978 484 0005, Fax: 978 843 7669, Email: us.info@michell.com, Web: www.michell.com/us

Michell Instruments adopts a continuous development programme which sometimes necessitates specification changes without notice.

Issue no: MDM25_97227_V2.1_US_0615